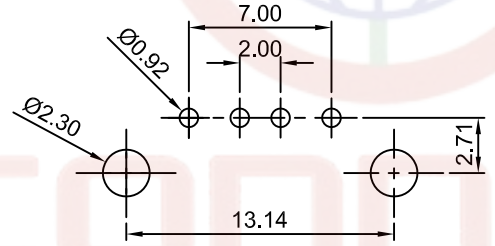
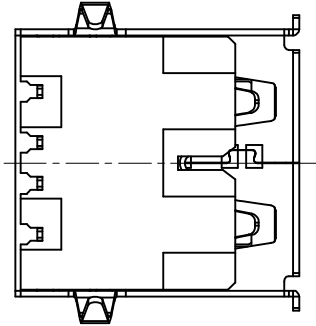
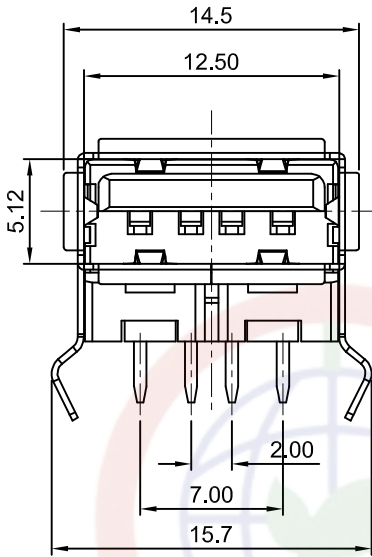
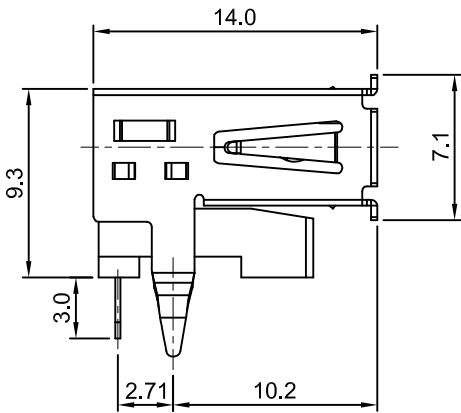


The information provided herein is from CONNELY Electronic Co., Ltd. and is confidential. Any disclosure to a party other than the recipient is prohibited. The intellectual properties and its rights contained herein, including but not limited to, trademarks, patents, copyrights, trade secrets, and technical know-how, are owned exclusively by CONNELY or its affiliates. Unauthorized use of this information in any format or manner. CONNELY may enforce its intellectual property rights at its own discretion; failures or delays to exercise such rights does not constitute a waiver of such rights.

1 2 3 4 5 6 7 8

REV.	DESCRIPTION	DRAWN	CHECKED	APPROVED
A	NEW RELEASE	LJC 01/19/09'		LJC 01/19/09'
B	DRAWING UPDATE	JLZ 12/24/21'		



Recommend PCB layout
(Tolerance:±0.05)



(Series Image-Reference Only)

Notes:

Specifications:

- Contact Resistance: 30mΩ Max.
- Insulation Resistance: 1000MΩ Min.
- Dielectric Withstanding Voltage: 500V AC(rms) For 1 Minute.
- Current Rating:1.5A Max
- Voltage Rating:30V Max
- Temperature: -40°C~+85°C.

Materials:

- Contact Material: Copper Alloy.
- Shell Material: Steel.
- Insulator Material: Thermoplastic,Black or White.

Mechanical Characteristics:

- Mating Force:3.57Kgf Maximum.
- Unmating Force:1.02Kgf Minimum.
- Durability:1500 Cycles

Product Number Code:

DS1095-03 - X X X X

- Contact plating
 - 0: Selective gold flash
 - 03: Selective gold 3u"
 - 30: Selective gold 30u"
- Mounting type
 - R: R/A
- Shell plating
 - N: Nickel
 - 6: Tin
- Color of housing
 - W: White
 - B: Black

GENERAL TOLERANCE		ANGLE TOLERANCE		PROJECTION		TITLE	USB A Type Female	
X.	±0.60	X.	±5°	UNITS	mm		R/A H=9.35mm	
.X	±0.38	.X	±3°	SHEET SIZE	A4	SERIES	DS1095-03 SERIES	
.XX	±0.25	.XX	±2°	晨翔电子有限公司 CONNELY CONNELY ELECTRONIC CO. LTD				
DRAWING TYPE		CUSTOMER						
SCALE	1:1	SHEET	1 OF 1					
DRAWING NO.		C-DS1095-03-XXXX-B						

1 2 3 4 5 6 7 8